



# SNJ – PLUMMER BLOCK HOUSING



**No.1  
IN THE  
WORLD**

Spherical roller bearings with the highest load rating in the world. SNJ plummer block housings are designed to work with NACHI's spherical roller bearings.

## SNJ – Plummer Block Housing

NACHI SNJ plummer blocks are developed to be used with NACHI bearings which have the highest load carrying capacity in the world and therefore provide longer bearing life for many different industrial applications. NACHI SNJ plummer blocks can work with either a plain shaft with the bearing on an adapter sleeve or a stepped shaft with the bearing mounted directly without an adapter.

### Available in a wide range of sizes:

- ▶ 200 Series | 300 Series | 500 Series | 600 Series

### Materials:

- ▶ Standard material: cast iron GG25
- ▶ Other materials also available:
  - Steel – GS45
  - Ductile – GGG40

### Shaft Diameter Range:

20 to 160mm

### Bearing Types:

- ▶ Self-aligning ball bearings
- ▶ Spherical roller bearings for taper and cylindrical shafts



### Locating Rings:

NACHI SNJ plummer blocks are constructed to support floating bearings. NACHI locating rings made of steel are used when a fixed bearing arrangement is required.\*

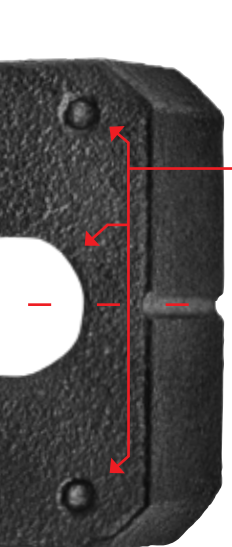


### Mounting:

NACHI SNJ plummer blocks are delivered with two mounting holes. However, drilling additional mounting holes is possible. Punch markings in the housing base point out the recommended positions.

### Alignment During Assembly:

The alignment of NACHI SNJ plummer blocks is quick and precise. Markings on both end faces of the housing foot are provided. Both are aligned vertically to the axis of the bore in the housing.



\* Two locating rings are required for a fixed position - sold one piece per box.

## Features of the Construction:

Extra load capacity with a strength-based design of the foot. The housing base is reinforced by an additional crosspiece on each side surrounding the mounting holes in the base which, together with the housing wall, increase the mounting surface.

## Heat Dissipation:

The central support in the housing base increases the area of heat dissipation through the mounting surface. The reduced bearing working temperature increases the operating life of the machine.



## Lubrication:

NACHI SNJ plummer blocks are designed for both grease and oil lubrication. However, grease lubrication is recommended.

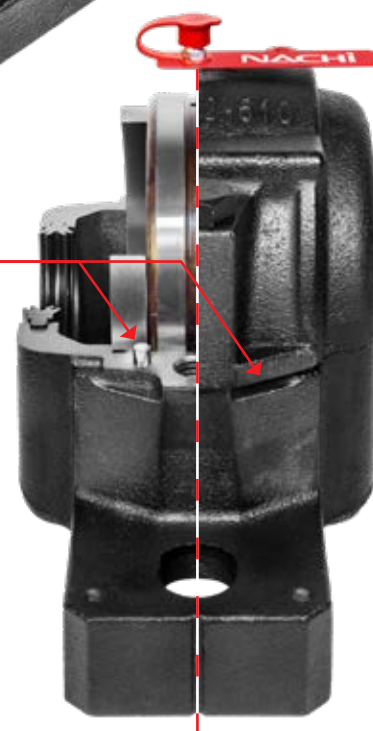
NACHI SNJ plummer blocks are equipped with a relubrication device mounted on top of the housing together with a plastic protector. This nipple enables lubricant to enter the bearing directly via the outer ring through lubrication holes (NACHI designation W33). NACHI SNJ plummer block design also has an additional drilled and tapped hole in the upper section of the housing. The hole is protected by a plastic cup.

This hole is used if self-aligning ball bearings are mounted in the housing or for additional lubrication if required e.g. when an end cover or withdrawal sleeve is used.



## Simple and Safe Assembly:

The upper and lower parts of the housing are not interchangeable. Dowel pins have been fitted in both halves to simplify the alignment and installation of heavy housings. Additionally, tool slots allow easy cap removal as well as faster bearing inspection and replacement.



## Seals Options:

Different seals types available to protect the bearing for various working environments and applications:

- ▶ Four-lip rubber seal
- ▶ V-ring
- ▶ Labyrinth seal
- ▶ Heavy-duty taconite seal



## Adapter Sleeve Technical Information:

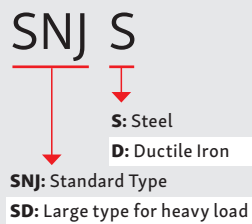
NACHI delivers adapter sleeves with a zinc phosphate coating for NACHI SNJ plummer blocks (standard version available on request).

- ▶ NACHI adapter sleeves provide high performance with a wide range of products due to high quality and surface accuracy.
- ▶ NACHI can also deliver adapter sleeves with a zinc phosphate coating.
- ▶ The coated version is resistant to corrosion. Sold by NACHI as standard together with NACHI SNJ plummer blocks.

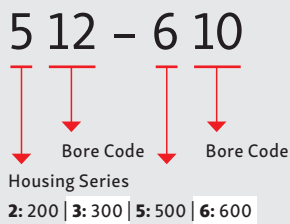


## Configuration of Product Nomenclature:

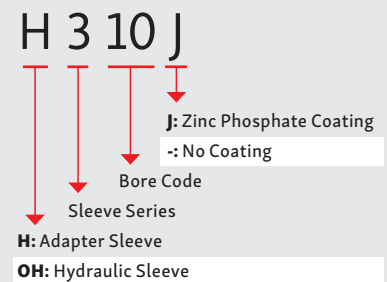
### Housing Style



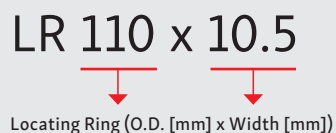
### Housing Size



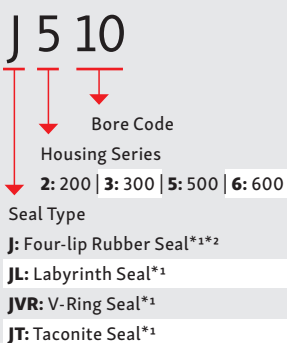
### Sleeve



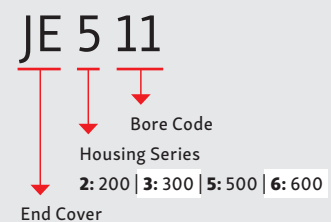
### Locating Ring



### Seal



### Cover

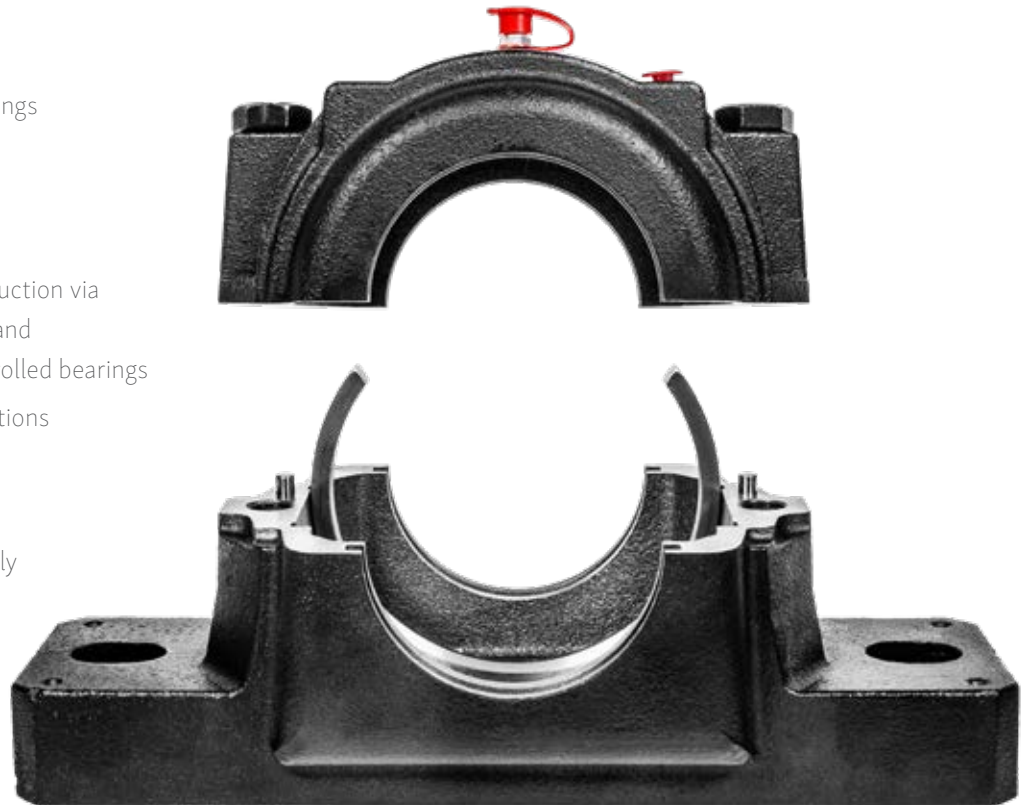


\*<sup>1</sup> Two of each type of seals are required (one if end cover is used)

\*<sup>2</sup> Four-lip seals are sold one piece per box (two halves)

## Advantages:

- ▶ Applicable for various bearings
- ▶ Different bearing seat configurations permissible
- ▶ Reinforced construction
- ▶ Operating temperature reduction via increased heat dissipation and usage of NACHI skew controlled bearings
- ▶ Wide range of sealing variations
- ▶ Two relubrication points
- ▶ Simple maintenance
- ▶ Secure and precise assembly
- ▶ Increased service life



## NACHI Spherical Roller Bearings

**No. 1  
IN THE  
WORLD**

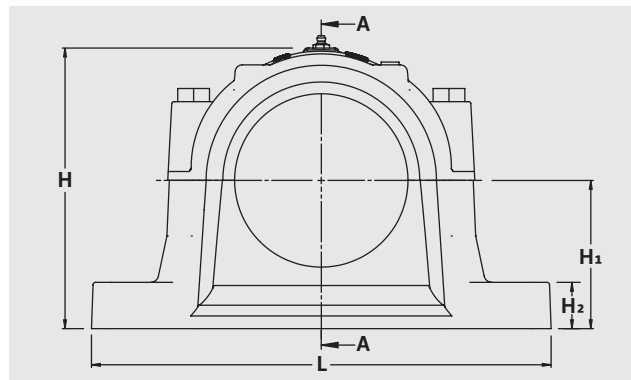
**The highest load ratings in the world**

- ▶ 100% made in Japan
- ▶ NACHI's quality is fully controlled and maintained – from steel production in NACHI's own steel plants to the final bearing assembly
- ▶ New internal geometry
- ▶ Significantly larger rollers
- ▶ More even load distribution on the contact surface between outer/inner rings and the rollers
- ▶ New ultra clean steel
- ▶ Higher speed limit
- ▶ Heat stabilised up to 200°C
- ▶ NACHI grease lubrication limiting speeds are comparable to oil lubrication limiting speeds of most competitors products.

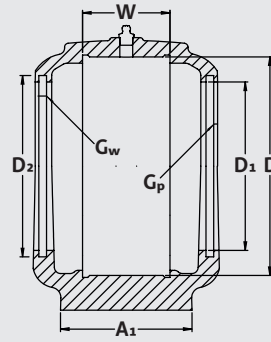
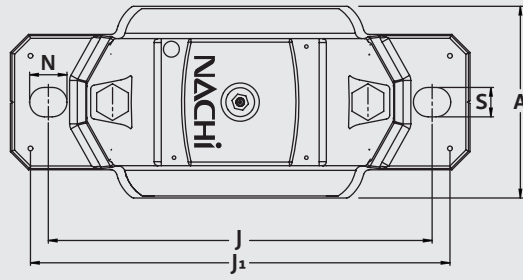


## SNJ Plummer Block Housings

For spherical roller bearings  
with adapter sleeve.



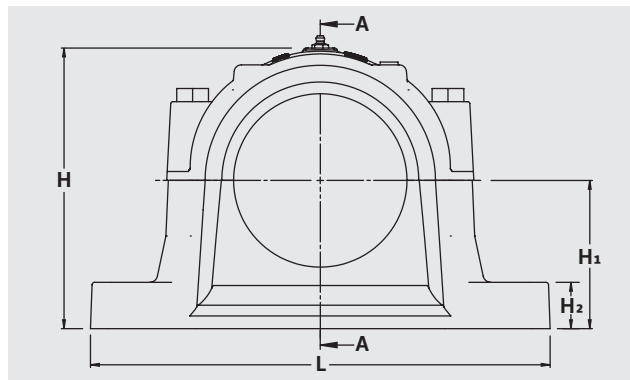
Shaft Diameter d [mm]	Housing	Bearing number	Adapter sleeve	Locating rings	Rubber 4-lip seal	Labyrinth seal	V-ring seal	Taconite seal	End cover	
25	SNJ507-606	21306EXQW33K	H306	LR72x7.5	J606	JL606	JVR606	JT606	JE507	
30	SNJ507-606	22207EXQW33K	H307	LR72x5.5	J507	JL507	JVR507	JT507	JE507	
	SNJ508-607	21307EXQW33K	H307	LR80x9	J607	JL607	JVR607	JT607	JE508	
35	SNJ508-607	22208EXQW33K	H308	LR80x8	J508	JL508	JVR508	JT508	JE508	
	SNJ510-608	21308EXQW33K	H308	LR90x9	J608	JL608	JVR608	JT608	JE510	
	SNJ510-608	22308EXQW33K	H2308	LR90x4	J608	JL608	JVR608	JT608	JE510	
40	SNJ509	22209EXQW33K	H309	LR85x3.5	J509	JL509	JVR509	JT509	JE509	
	SNJ511-609	21309EXQW33K	H309	LR100x9.5	J609	JL609	JVR609	JT609	JE511	
	SNJ511-609	22309EXQW33K	H2309	LR100x4	J609	JL609	JVR609	JT609	JE511	
45	SNJ510-608	22210EXQW33K	H310	LR90x9	J510	JL510	JVR510	JT510	JE510	
	SNJ512-610	21310EXQW33K	H310	LR110x10.5	J610	JL610	JVR610	JT610	JE512	
	SNJ512-610	22310EXQW33K	H2310	LR110x4	J610	JL610	JVR610	JT610	JE512	
50	SNJ511-609	22211EXQW33K	H311	LR100x9.5	J511	JL511	JVR511	JT511	JE511	
	SNJ513-611	21311EXQW33K	H311	LR120x11	J611	JL611	JVR611	JT611	JE513	
	SNJ513-611	22311EXQW33K	H2311	LR120x4	J611	JL611	JVR611	JT611	JE513	
55	SNJ512-610	22212EXQW33K	H312	LR110x10	J512	JL512	JVR512	JT512	JE512	
	SNJ515-612	21312EXQW33K	H312	LR130x12.5	J612	JL612	JVR612	JT612	JE515	
	SNJ515-612	22312EXQW33K	H2312	LR130x5	J612	JL612	JVR612	JT612	JE515	
60	SNJ513-611	22213EXQW33K	H313	LR120x10	J513	JL513	JVR513	JT513	JE513	
	SNJ516-613	21313EXQW33K	H313	LR140x12.5	J613	JL613	JVR613	JT613	JE516	
	SNJ516-613	22313EXQW33K	H2313	LR140x5	J613	JL613	JVR613	JT613	JE516	
65	SNJ515-612	22215EXQW33K	H315	LR130x12.5	J515	JL515	JVR515	JT515	JE515	
	SNJ518-615	21315EXQW33K	H315	LR160x14	J615	JL615	JVR615	JT615	JE518	
	SNJ518-615	22315EXQW33K	H2315	LR160x5	J615	JL615	JVR615	JT615	JE518	
70	SNJ516-613	22216EXQW33K	H316	LR140x12.5	J516	JL516	JVR516	JT516	JE516	
	SNJ519-616	21316EXQW33K	H316	LR170x14.5	J616	JL616	JVR616	JT616	JE519	
	SNJ519-616	22316EXQW33K	H2316	LR170x5	J616	JL616	JVR616	JT616	JE519	
75	SNJ517	22217EXQW33K	H317	LR150x12.5	J517	JL517	JVR517	JT517	JE517	
	SNJ520-617	21317EXQW33K	H317	LR180x14.5	J617	JL617	JVR617	JT617	JE520	
	SNJ520-617	22317EXQW33K	H2317	LR180x5	J617	JL617	JVR617	JT617	JE520	
80	SNJ518-615	22218EXQW33K	H318	LR160x12.5	J518	JL518	JVR518	JT518	JE518	
	SNJ518-615	23218EXQW33K	H2318	LR160x6.25	J518	JL518	JVR518	JT518	JE518	
85	SNJ519-616	22219EXQW33K	H319	LR170x12.5	J519	JL519	JVR519	JT519	JE519	
	SNJ522-619	22319EXQW33K	H2319	LR200x6.5	J619	JL619	JVR619	JT619	JE522	
90	SNJ520-617	22220EXQW33K	H320	LR180x12	J520	JL520	JVR520	JT520	JE520	
	SNJ520-617	23220EXQW33K	H2320	LR180x4.85	J520	JL520	JVR520	JT520	JE520	
	SNJ524-620	22320EXQW33K	H2320	LR215x6.5	J620	JL620	JVR620	JT620	JE524	
100	SNJ522-619	22222EXQW33K	H322	LR200x13.5	J522	JL522	JVR522	JT522	JE522	
	SNJ522-619	23222EXQW33K	H2322	LR200x5.1	J522	JL522	JVR522	JT522	JE522	
110	SNJ524-620	22224EXQW33K	H3124	LR215x14	J524	JL524	JVR524	JT524	JE524	
	SNJ524-620	23224EXQW33K	H2324	LR215x5	J524	JL524	JVR524	JT524	JE524	
115	SNJ526	22226EXQW33K	H3126	LR230x13	J526	JL526	JVR526	JT526	JE526	
	SNJ526	23226EXQW33K	H2326	LR230x5	J526	JL526	JVR526	JT526	JE526	
125	SNJ528	22228EXQW33K	H3128	LR250x15	J528	JL528	JVR528	JT528	JE528	
	SNJ528	23228EXQW33K	H2328	LR250x5	J528	JL528	JVR528	JT528	JE528	
135	SNJ530	22230EXQW33K	H3130	LR270x16.5	J530	JL530	JVR530	JT530	JE530	
	SNJ530	23230EXQW33K	H2330	LR270x5	J530	JL530	JVR530	JT530	JE530	
140	SNJ532	22232EXQW33K	H3132	LR290x17	J532	JL532	JVR532	JT532	JE532	
	SNJ532	23232EXQW33K	H2332	LR290x5	J532	JL532	JVR532	JT532	JE532	



	H [mm]	H1 [mm]	H2 [mm]	L [mm]	W [mm]	D [mm]	A1 [mm]	A [mm]	J [mm]	J1 [mm]	S [mm]	N [mm]	D1 [mm]	D2 [mm]	Gw [mm]	Gp [mm]	Weight [kg]
	97	50	22	185	34	72	52	83	150	172	15	20	46.00	54.50	5.00	2.80	2.65
	97	50	22	185	34	72	52	83	150	172	15	20	46.00	54.50	5.00	2.80	2.65
	110	60	25	205	39	80	58	85	170	188	15	20	51.50	59.50	5.00	2.80	3.50
	110	60	25	205	39	80	58	85	170	188	15	20	51.50	59.50	5.00	2.80	3.50
	116	60	25	205	41	90	60	89	170	188	15	20	62.00	70.50	5.00	3.80	4.00
	116	60	25	205	41	90	60	89	170	188	15	20	62.00	70.50	5.00	3.80	4.00
	110	60	25	205	30	85	60	85	170	188	15	20	56.50	64.50	5.00	3.80	3.50
	132	70	28	257	44	100	71	96	210	234	18	24	67.00	75.50	5.00	4.50	6.20
	132	70	28	257	44	100	71	96	210	234	18	24	67.00	75.50	5.00	4.50	6.20
	116	60	25	205	41	90	60	89	170	188	15	20	62.00	70.50	5.00	3.80	4.00
	136	70	30	257	48	110	71	105	210	234	18	24	72.00	80.50	5.00	3.50	6.75
	136	70	30	257	48	110	71	105	210	234	18	24	72.00	80.50	5.00	3.50	6.75
	132	70	28	257	44	100	71	96	210	234	18	24	67.00	75.50	5.00	4.50	6.20
	152	80	30	275	51	120	80	110	230	252	18	24	77.00	85.50	5.00	3.50	9.10
	152	80	30	275	51	120	80	110	230	252	18	24	77.00	85.50	5.00	3.50	9.10
	136	70	30	257	48	110	71	105	210	234	18	24	72.00	80.50	5.00	3.50	6.75
	157	80	30	280	56	130	80	115	230	257	18	24	87.00	95.50	5.00	3.90	9.25
	157	80	30	280	56	130	80	115	230	257	18	24	87.00	95.50	5.00	3.90	9.25
	152	80	30	275	51	120	80	110	230	252	18	24	77.00	85.50	5.00	3.50	9.10
	177	95	32	316	58	140	90	124	260	288	22	28	92.50	101.00	5.00	4.60	12.00
	177	95	32	316	58	140	90	124	260	288	22	28	92.50	101.00	5.00	4.60	12.00
	157	80	30	280	56	130	80	115	230	257	18	24	87.00	95.50	5.00	3.90	9.25
	196	100	35	347	65	160	100	142	290	317	22	28	102.50	111.00	5.00	4.75	15.95
	196	100	35	347	65	160	100	142	290	317	22	28	102.50	111.00	5.00	4.75	15.95
	177	95	32	316	58	140	90	124	260	288	22	28	92.50	101.00	5.00	4.60	12.00
	212	112	35	247	68	170	102	145	290	317	22	28	131.00	141.00	6.00	3.00	16.10
	212	112	35	247	68	170	102	145	290	317	22	28	131.00	141.00	6.00	3.00	16.10
	181	95	32	320	61	150	90	125	260	292	22	28	97.50	106.00	5.00	3.25	11.00
	221	112	40	380	70	180	112	160	320	348	26	32	137.50	147.50	6.00	3.00	19.50
	221	112	40	380	70	180	112	160	320	348	26	32	137.50	147.50	6.00	3.00	19.50
	196	100	35	347	65	160	100	142	290	317	22	28	102.50	111.00	5.00	4.75	15.95
	196	100	35	347	65	160	100	142	290	317	22	28	102.50	111.00	5.00	4.75	15.95
	212	112	35	247	68	170	102	145	290	317	22	28	131.00	141.00	6.00	3.00	16.10
	244	125	45	409	80	200	120	175	350	378	26	32	147.50	157.50	6.00	4.50	25.60
	221	112	40	380	70	180	112	160	320	348	26	32	137.50	147.50	6.00	3.00	19.50
	221	112	40	380	70	180	112	160	320	348	26	32	137.50	147.50	6.00	3.00	19.50
	269	140	45	411	86	215	125	185	350	378	26	32	157.50	167.50	6.00	3.50	28.20
	244	125	45	409	80	200	120	175	350	378	26	32	147.50	157.50	6.00	4.50	25.60
	244	125	45	409	80	200	120	175	350	378	26	32	147.50	157.50	6.00	4.50	25.60
	269	140	45	411	86	215	125	185	350	378	26	32	157.50	167.50	6.00	3.50	28.20
	269	140	45	411	86	215	125	185	350	378	26	32	157.50	167.50	6.00	3.50	28.20
	288	150	50	446	90	230	130	194	380	414	28	35	167.50	177.50	6.00	4.00	37.00
	288	150	50	446	90	230	130	194	380	414	28	35	167.50	177.50	6.00	4.00	37.00
	298	150	50	500	98	250	150	205	420	458	35	42	177.50	187.50	6.00	4.50	42.00
	298	150	50	500	98	250	150	205	420	458	35	42	177.50	187.50	6.00	4.50	42.00
	321	160	60	532	106	270	160	220	450	486	35	42	192.50	202.50	6.00	4.50	53.00
	321	160	60	532	106	270	160	220	450	486	35	42	192.50	202.50	6.00	4.50	53.00
	342	170	60	552	114	290	160	233	470	506	35	42	202.50	212.50	6.00	4.50	60.50
	342	170	60	552	114	290	160	233	470	506	35	42	202.50	212.50	6.00	4.50	60.50

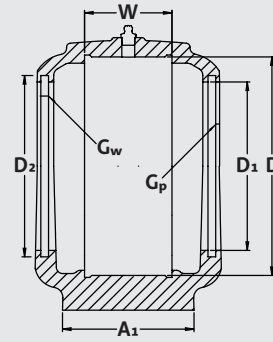
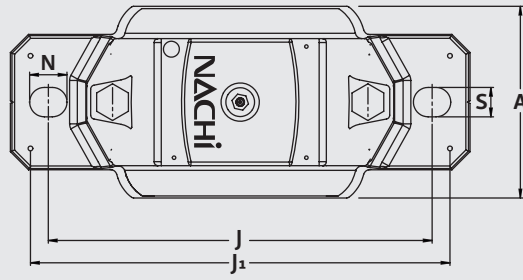
## SNJ Plummer Block Housings

For spherical roller bearings on a cylindrical seat on metric shafts.



Shaft Diameter		Housing	Bearing number	Locating rings	Rubber 4-lip seal	Labyrinth seal	V-ring seal	End cover		
da [mm]	db [mm]									
30	35	SNJ507-606	21306EXQW33	LR72X7.5	J306	JL306	JVR306	JE507		
40	50	SNJ510-608	21308EXQW33	LR90X9	J308	JL308	JVR308	JE510		
45	55	SNJ510-608	22308EXQW33	LR90X4	J308	JL308	JVR308	JE510		
		SNJ511-609	21309EXQW33	LR100X9.5	J309	JL309	JVR309	JE511		
50	60	SNJ511-609	22309EXQW33	LR100X4	J309	JL309	JVR309	JE511		
		SNJ512-610	21310EXQW33	LR110X10.5	J310	JL310	JVR310	JE512		
55	65	SNJ512-610	22310EXQW33	LR110X 4	J310	JL310	JVR310	JE512		
		SNJ513-611	21311EXQW33	LR120X11	J311	JL311	JVR311	JE513		
60	70	SNJ513-611	22311EXQW33	LR120X4	J311	JL311	JVR311	JE513		
		SNJ515-612	21312EXQW33	LR130X12.5	J312	JL312	JVR312	JE515		
65	75	SNJ515-612	22312EXQW33	LR130X5	J312	JL312	JVR312	JE515		
		SNJ516-613	21313EXQW33	LR140X12.5	J313	JL313	JVR313	JE516		
70	80	SNJ516-613	22313 EXQW33	LR140X5	J313	JL313	JVR313	JE516		
		SNJ517	22314 EXQW33	LR150X5	J314	JL314	JVR314	JE517		
75	85	SNJ517	21314EXQW33	LR150X13	J314	JL314	JVR314	JE517		
		SNJ518-615	21315EXQW33	LR160X14	J315	JL315	JVR315	JE518		
80	90	SNJ518-615	22315EXQW33	LR160X5	J315	JL315	JVR315	JE518		
		SNJ519-616	21316EXQW33	LR170X14.5	J316	JL316	JVR316	JE519		
85	95	SNJ519-616	22316EXQW33	LR170X5	J316	JL316	JVR316	JE519		
		SNJ520-617	21317EXQW33	LR180X14.5	J317	JL317	JVR317	JE520		
90	100	SNJ520-617	22317EXQW33	LR180X5	J317	JL317	JVR317	JE520		
		SNJ522-619	22319EXQW33	LR200X6.5	J319	JL319	JVR219	JE522		
100	115	SNJ522-619	22220EXQW33	LR180X12	J220	JL220	JVR220	JE520		
		SNJ520-617	23220EXQW33	LR180X4.85	J220	JL220	JVR220	JE520		
		SNJ524-620	21320EXQW33	LR215X19.5	J320	JL320	JVR320	JE524		
		SNJ524-620	22320EXQW33	LR215X6.5	J320	JL320	JVR320	JE524		
110	125	SNJ522-619	22222EXQW33	LR200X13.5	J222	JL222	JVR222	JE522		
		SNJ522-619	23222EXQW33	LR200X5.1	J222	JL222	JVR222	JE522		
120	135	SNJ524-620	22224EXQW33	LR215X14	J224	JL224	JVR224	JE524		
		SNJ524-620	23224EXQW33	LR215X5	J224	JL224	JVR224	JE524		
130	145	SNJ526	22226EXQW33	LR230X13	J226	JL226	JVR226	JE526		
		SNJ526	23226EXQW33	LR230X5	J226	JL226	JVR226	JE526		
140	155	SNJ528	22228EXQW33	LR250X15	J228	JL228	JVR228	JE528		
		SNJ528	23228EXQW33	LR250X5	J228	JL228	JVR228	JE528		
150	165	SNJ530	22230EXQW33	LR270X16.5	J230	JL230	JVR230	JE530		
		SNJ530	23230EXQW33	LR270X5	J230	JL230	JVR230	JE530		
160	175	SNJ532	22232EXQW33	LR290X17	J232	JL232	JVR232	JE532		
		SNJ532	23232EXQW33	LR290X5	J232	JL232	JVR232	JE532		

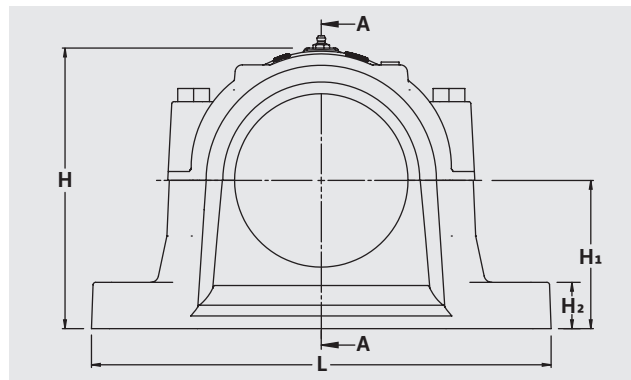




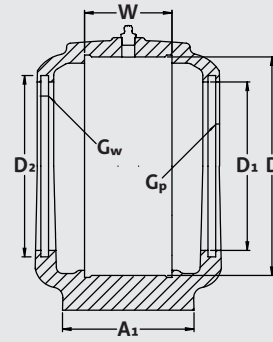
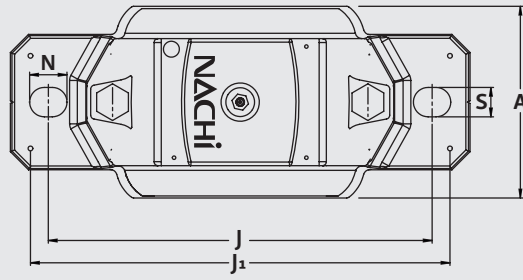
	H [mm]	H1 [mm]	H2 [mm]	L [mm]	W [mm]	D [mm]	A1 [mm]	A [mm]	J [mm]	J1 [mm]	S [mm]	N [mm]	D1 [mm]	D2 [mm]	Gw [mm]	Gp [mm]	Weight [kg]
	97	50	22	185	34	72	52	83	150	172	15	20	46.00	54.50	5.00	2.80	2.65
	116	60	25	205	41	90	60	89	170	188	15	20	62.00	70.50	5.00	3.80	4.00
	116	60	25	205	41	90	60	89	170	188	15	20	62.00	70.50	5.00	3.80	4.00
	132	70	28	257	44	100	71	96	210	234	18	24	67.00	75.50	5.00	4.50	6.20
	132	70	28	257	44	100	71	96	210	234	18	24	67.00	75.50	5.00	4.50	6.20
	136	70	30	257	48	110	71	105	210	234	18	24	72.00	80.50	5.00	3.50	6.75
	136	70	30	257	48	110	71	105	210	234	18	24	72.00	80.50	5.00	3.50	6.75
	152	80	30	275	51	120	80	110	230	252	18	24	77.00	85.50	5.00	3.50	9.10
	152	80	30	275	51	120	80	110	230	252	18	24	77.00	85.50	5.00	3.50	9.10
	157	80	30	280	56	130	80	115	230	257	18	24	87.00	95.50	5.00	3.90	9.25
	157	80	30	280	56	130	80	115	230	257	18	24	87.00	95.50	5.00	3.90	9.25
	177	95	32	316	58	140	90	124	260	288	22	28	92.50	101.00	5.00	4.60	12.00
	177	95	32	316	58	140	90	124	260	288	22	28	92.50	101.00	5.00	4.60	12.00
	181	95	32	320	61	150	90	125	260	292	22	28	97.50	106.00	5.00	3.25	11.00
	181	95	32	320	61	150	90	125	260	292	22	28	97.50	106.00	5.00	3.25	11.00
	196	100	35	347	65	160	100	142	290	317	22	28	102.50	111.00	5.00	4.75	15.95
	196	100	35	347	65	160	100	142	290	317	22	28	102.50	111.00	5.00	4.75	15.95
	212	112	35	247	68	170	102	145	290	317	22	28	131.00	141.00	6.00	3.00	16.10
	212	112	35	247	68	170	102	145	290	317	22	28	131.00	141.00	6.00	3.00	16.10
	221	112	40	380	70	180	112	160	320	348	26	32	137.50	147.50	6.00	3.00	19.50
	221	112	40	380	70	180	112	160	320	348	26	32	137.50	147.50	6.00	3.00	19.50
	244	125	45	409	80	200	120	175	350	378	26	32	147.50	157.50	6.00	4.50	25.60
	221	112	40	380	70	180	112	160	320	348	26	32	137.50	147.50	6.00	3.00	19.50
	221	112	40	380	70	180	112	160	320	348	26	32	137.50	147.50	6.00	3.00	19.50
	269	140	45	411	86	215	125	185	350	378	26	32	157.50	167.50	6.00	3.50	28.20
	269	140	45	411	86	215	125	185	350	378	26	32	157.50	167.50	6.00	3.50	28.20
	244	125	45	409	80	200	120	175	350	378	26	32	147.50	157.50	6.00	4.50	25.60
	244	125	45	409	80	200	120	175	350	378	26	32	147.50	157.50	6.00	4.50	25.60
	269	140	45	411	86	215	125	185	350	378	26	32	157.50	167.50	6.00	3.50	28.20
	269	140	45	411	86	215	125	185	350	378	26	32	157.50	167.50	6.00	3.50	28.20
	288	150	50	446	90	230	130	194	380	414	28	35	167.50	177.50	6.00	4.00	37.00
	288	150	50	446	90	230	130	194	380	414	28	35	167.50	177.50	6.00	4.00	37.00
	298	150	50	500	98	250	150	205	420	458	35	42	177.50	187.50	6.00	4.50	42.00
	298	150	50	500	98	250	150	205	420	458	35	42	177.50	187.50	6.00	4.50	42.00
	321	160	60	532	106	270	160	220	450	486	35	42	192.50	202.50	6.00	4.50	53.00
	321	160	60	532	106	270	160	220	450	486	35	42	192.50	202.50	6.00	4.50	53.00
	342	170	60	552	114	290	160	233	470	506	35	42	202.50	212.50	6.00	4.50	60.50
	342	170	60	552	114	290	160	233	470	506	35	42	202.50	212.50	6.00	4.50	60.50

## SNJ Plummer Block Housings

For self-aligning ball bearings with adapter sleeve.



Shaft Diameter d [mm]	Housing	Bearing number	Adapter sleeve	Locating rings	Rubber 4-lip seal	Labyrinth seal	End cover	
25	SNJ507-606	1306K	H306	LR72x7.5	J606	JL606	JE507	
	SNJ507-606	2306K	H2306	LR72x3.5	J606	JL606	JE507	
30	SNJ507-606	1207K	H207	LR72x8.5	J507	JL507	JE507	
	SNJ507-606	2207K	H307	LR72x5.5	J507	JL507	JE507	
	SNJ508-607	1307K	H307	LR80x9	J607	JL607	JE508	
	SNJ508-607	2307K	H2307	LR80x4	J607	JL607	JE508	
35	SNJ508-607	1208K	H208	LR80x10.5	J508	JL508	JE508	
	SNJ508-607	2208K	H308	LR80x8	J508	JL508	JE508	
	SNJ510-608	1308K	H308	LR90x9	J608	JL608	JE510	
40	SNJ510-608	2308K	H2308	LR90x4	J608	JL608	JE510	
	SNJ509	1209K	H209	LR85x5.5	J509	JL509	JE509	
	SNJ509	2209K	H309	LR85x3.5	J509	JL509	JE509	
	SNJ511-609	1309K	H309	LR100x9.5	J609	JL609	JE511	
45	SNJ511-609	2309K	H2309	LR100x4	J609	JL609	JE511	
	SNJ510-608	1210K	H210	LR90x10.5	J510	JL510	JE510	
	SNJ510-608	2210K	H310	LR90x9	J510	JL510	JE510	
	SNJ512-610	1310K	H310	LR110x10.5	J610	JL610	JE512	
50	SNJ512-610	2310K	H2310	LR110x4	J610	JL610	JE512	
	SNJ511-609	1211K	H211	LR100x11.5	J511	JL511	JE511	
	SNJ511-609	2211K	H311	LR100x9.5	J511	JL511	JE511	
	SNJ513-611	1311K	H311	LR120x11	J611	JL611	JE513	
55	SNJ513-611	2311K	H2311	LR120x4	J611	JL611	JE513	
	SNJ512-610	1212K	H212	LR110x13	J512	JL512	JE512	
	SNJ512-610	2212K	H312	LR110x10	J512	JL512	JE512	
	SNJ515-612	1312K	H312	LR130x12	J612	JL612	JE515	
60	SNJ515-612	2312K	H2312	LR130x5	J612	JL612	JE515	
	SNJ513-611	1213K	H213	LR120x14	J513	JL513	JE513	
	SNJ513-611	2213K	H313	LR120x10	J513	JL513	JE513	
	SNJ516-613	1313K	H313	LR140x12.5	J613	JL613	JE516	
65	SNJ516-613	2313K	H2313	LR140x5	J613	JL613	JE516	
	SNJ515-612	1215K	H215	LR130x15.5	J515	JL515	JE515	
	SNJ515-612	2215K	H315	LR130x12.5	J515	JL515	JE515	
	SNJ518-615	1315K	H315	LR160x14	J615	JL615	JE518	
70	SNJ518-615	2315K	H2315	LR160x5	J615	JL615	JE518	
	SNJ516-613	1216K	H216	LR140x16	J516	JL516	JE516	
	SNJ516-613	2216K	H316	LR140x12.5	J516	JL516	JE516	
	SNJ519-616	1316K	H316	LR170x14	J616	JL616	JE519	
75	SNJ519-616	2316K	H2316	LR170x5	J616	JL616	JE519	
	SNJ517	1217K	H217	LR150x16.5	J517	JL517	JE517	
	SNJ517	2217K	H317	LR150x12.5	J517	JL517	JE517	
	SNJ520-617	1317K	H317	LR180x14.5	J617	JL617	JE520	
80	SNJ520-617	2317K	H2317	LR180x5	J617	JL617	JE520	
	SNJ518-615	1218K	H218	LR160x17.5	J518	JL518	JE518	
85	SNJ518-615	2218K	H318	LR160x12.5	J518	JL518	JE518	
	SNJ519-616	1219K	H219	LR170x18	J519	JL519	JE519	
90	SNJ519-616	2219K	H319	LR170x12.5	J519	JL519	JE519	
	SNJ520-617	1220K	H220	LR180x18	J520	JL520	JE520	
100	SNJ520-617	2220K	H320	LR180x12	J520	JL520	JE520	
	SNJ522-619	1222K	H222	LR200x21	J522	JL522	JE522	
	SNJ522-619	2222K	H322	LR200x13.5	J522	JL522	JE522	



	H [mm]	H1 [mm]	H2 [mm]	L [mm]	W [mm]	D [mm]	A1 [mm]	A [mm]	J [mm]	J1 [mm]	S [mm]	N [mm]	D1 [mm]	D2 [mm]	Gw [mm]	Gp [mm]	Weight [kg]
	97	50	22	185	34	72	52	83	150	172	15	20	46.00	54.50	5.00	2.80	2.65
	97	50	22	185	34	72	52	83	150	172	15	20	46.00	54.50	5.00	2.80	2.65
	97	50	22	185	34	72	52	83	150	172	15	20	46.00	54.50	5.00	2.80	2.65
	97	50	22	185	34	72	52	83	150	172	15	20	46.00	54.50	5.00	2.80	2.65
	110	60	25	205	39	80	58	85	170	188	15	20	51.50	59.50	5.00	2.80	3.50
	110	60	25	205	39	80	58	85	170	188	15	20	51.50	59.50	5.00	2.80	3.50
	110	60	25	205	39	80	58	85	170	188	15	20	51.50	59.50	5.00	2.80	3.50
	110	60	25	205	39	80	58	85	170	188	15	20	51.50	59.50	5.00	2.80	3.50
	116	60	25	205	41	90	60	89	170	188	15	20	62.00	70.50	5.00	3.80	4.00
	116	60	25	205	41	90	60	89	170	188	15	20	62.00	70.50	5.00	3.80	4.00
	110	60	25	205	30	85	60	85	170	188	15	20	56.50	64.50	5.00	3.80	3.50
	110	60	25	205	30	85	60	85	170	188	15	20	56.50	64.50	5.00	3.80	3.50
	132	70	28	257	44	100	71	96	210	234	18	24	67.00	75.50	5.00	4.50	6.20
	132	70	28	257	44	100	71	96	210	234	18	24	67.00	75.50	5.00	4.50	6.20
	116	60	25	205	41	90	60	89	170	188	15	20	62.00	70.50	5.00	3.80	4.00
	116	60	25	205	41	90	60	89	170	188	15	20	62.00	70.50	5.00	3.80	4.00
	136	70	30	257	48	110	71	105	210	234	18	24	72.00	80.50	5.00	3.50	6.75
	136	70	30	257	48	110	71	105	210	234	18	24	72.00	80.50	5.00	3.50	6.75
	132	70	28	257	44	100	71	96	210	234	18	24	67.00	75.50	5.00	4.50	6.20
	132	70	28	257	44	100	71	96	210	234	18	24	67.00	75.50	5.00	4.50	6.20
	152	80	30	275	51	120	80	110	230	252	18	24	77.00	85.50	5.00	3.50	9.10
	152	80	30	275	51	120	80	110	230	252	18	24	77.00	85.50	5.00	3.50	9.10
	136	70	30	257	48	110	71	105	210	234	18	24	72.00	80.50	5.00	3.50	6.75
	136	70	30	257	48	110	71	105	210	234	18	24	72.00	80.50	5.00	3.50	6.75
	157	80	30	280	56	130	80	115	230	257	18	24	87.00	95.50	5.00	3.90	9.25
	157	80	30	280	56	130	80	115	230	257	18	24	87.00	95.50	5.00	3.90	9.25
	152	80	30	275	51	120	80	110	230	252	18	24	77.00	85.50	5.00	3.50	9.10
	152	80	30	275	51	120	80	110	230	252	18	24	77.00	85.50	5.00	3.50	9.10
	177	95	32	316	58	140	90	124	260	288	22	28	92.50	101.00	5.00	4.60	12.00
	177	95	32	316	58	140	90	124	260	288	22	28	92.50	101.00	5.00	4.60	12.00
	157	80	30	280	56	130	80	115	230	257	18	24	87.00	95.50	5.00	3.90	9.25
	157	80	30	280	56	130	80	115	230	257	18	24	87.00	95.50	5.00	3.90	9.25
	196	100	35	347	65	160	100	142	290	317	22	28	102.50	111.00	5.00	4.75	15.95
	196	100	35	347	65	160	100	142	290	317	22	28	102.50	111.00	5.00	4.75	15.95
	177	95	32	316	58	140	90	124	260	288	22	28	92.50	101.00	5.00	4.60	12.00
	177	95	32	316	58	140	90	124	260	288	22	28	92.50	101.00	5.00	4.60	12.00
	212	112	35	247	68	170	102	145	290	317	22	28	131.00	141.00	6.00	3.00	16.10
	212	112	35	247	68	170	102	145	290	317	22	28	131.00	141.00	6.00	3.00	16.10
	181	95	32	320	61	150	90	125	260	292	22	28	97.50	106.00	5.00	3.25	11.00
	181	95	32	320	61	150	90	125	260	292	22	28	97.50	106.00	5.00	3.25	11.00
	221	112	40	380	70	180	112	160	320	348	26	32	137.50	147.50	6.00	3.00	19.50
	221	112	40	380	70	180	112	160	320	348	26	32	137.50	147.50	6.00	3.00	19.50
	196	100	35	347	65	160	100	142	290	317	22	28	102.50	111.00	5.00	4.75	15.95
	196	100	35	347	65	160	100	142	290	317	22	28	102.50	111.00	5.00	4.75	15.95
	212	112	35	247	68	170	102	145	290	317	22	28	131.00	141.00	6.00	3.00	16.10
	212	112	35	247	68	170	102	145	290	317	22	28	131.00	141.00	6.00	3.00	16.10
	221	112	40	380	70	180	112	160	320	348	26	32	137.50	147.50	6.00	3.00	19.50
	221	112	40	380	70	180	112	160	320	348	26	32	137.50	147.50	6.00	3.00	19.50
	244	125	45	409	80	200	120	175	350	378	26	32	147.50	157.50	6.00	4.50	25.60
	244	125	45	409	80	200	120	175	350	378	26	32	147.50	157.50	6.00	4.50	25.60

# NACHI

NACHI EUROPE GmbH

**OUR SYNERGY  
YOUR PERFORMANCE**



**MADE IN JAPAN**

**NACHI-FUJIKOSHI CORP.**

**TOKYO**

Shiodome Sumitomo Bldg., 1-9-2 Nigashi-shinbashi, Minato-ku Tokyo, JAPAN  
Phone: +81 3 5568-5240 | Fax: +81 3 5568-5236

**TOYAMA**

1-1-1 Fujikoshi-Honmachi, Toyama, JAPAN  
Phone: +81 76 423-5111 | Fax: +81 76 493-5211

Web: [www.nachi-fujikoshi.co.jp/](http://www.nachi-fujikoshi.co.jp/)

**NACHI EUROPE GmbH**

Bischofstr. 99 | DE-47809 Krefeld, Germany | Phone: +49 2151 650 46-0 | Fax: +49 2151 650 46-90 | Web: [www.nachi.de](http://www.nachi.de) | Email: [info@nachi.de](mailto:info@nachi.de)